

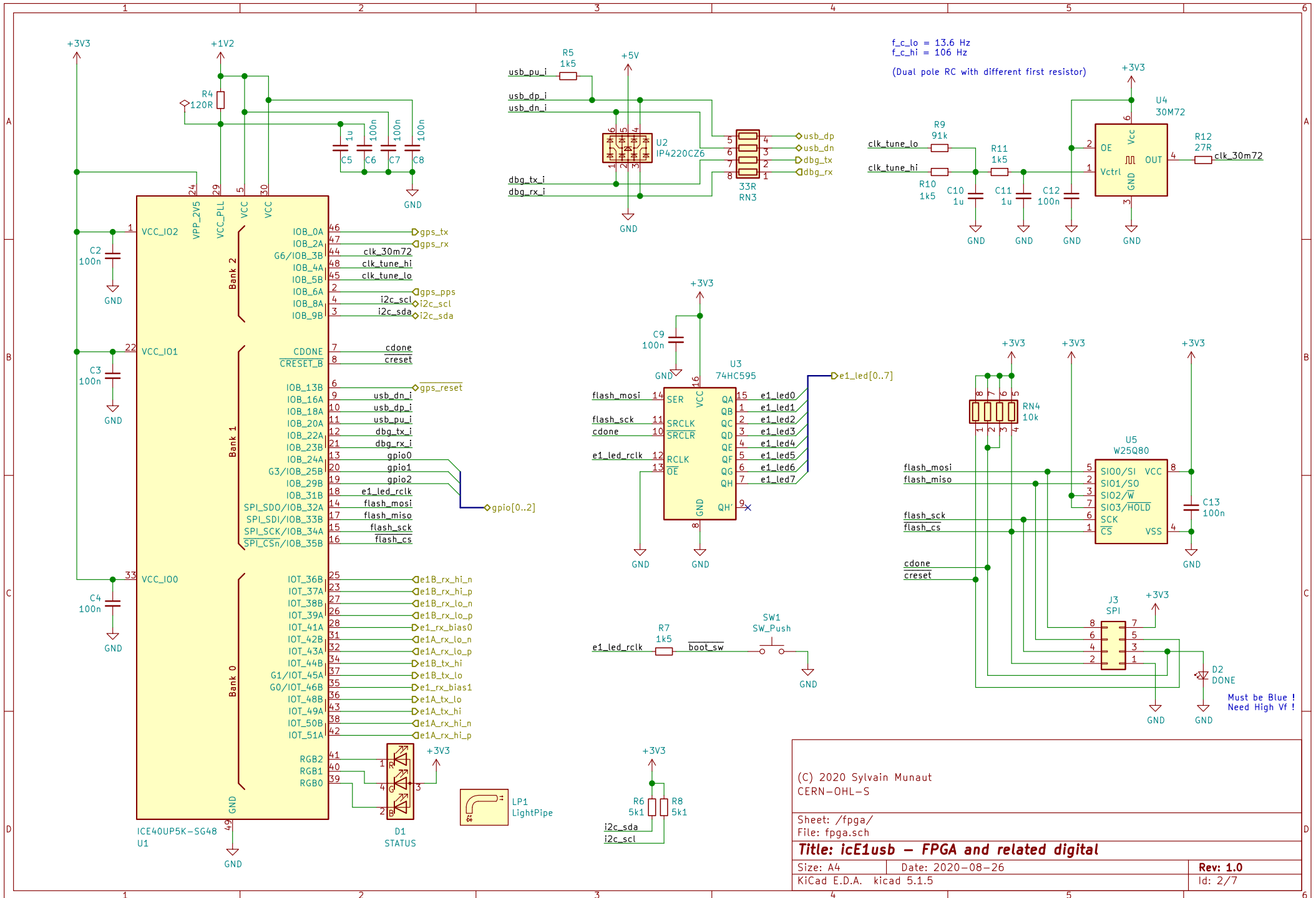
(C) 2020 Sylvain Munaut
CERN-OHL-S

Sheet: /
File: icE1usb.sch

Title: icE1usb – Top level overview

Size: A4 Date: 2020-08-26
KiCad E.D.A. kicad 5.1.5

Rev: 1.0
Id: 1/7



(C) 2020 Sylvain Munaut
CERN-OHL-S

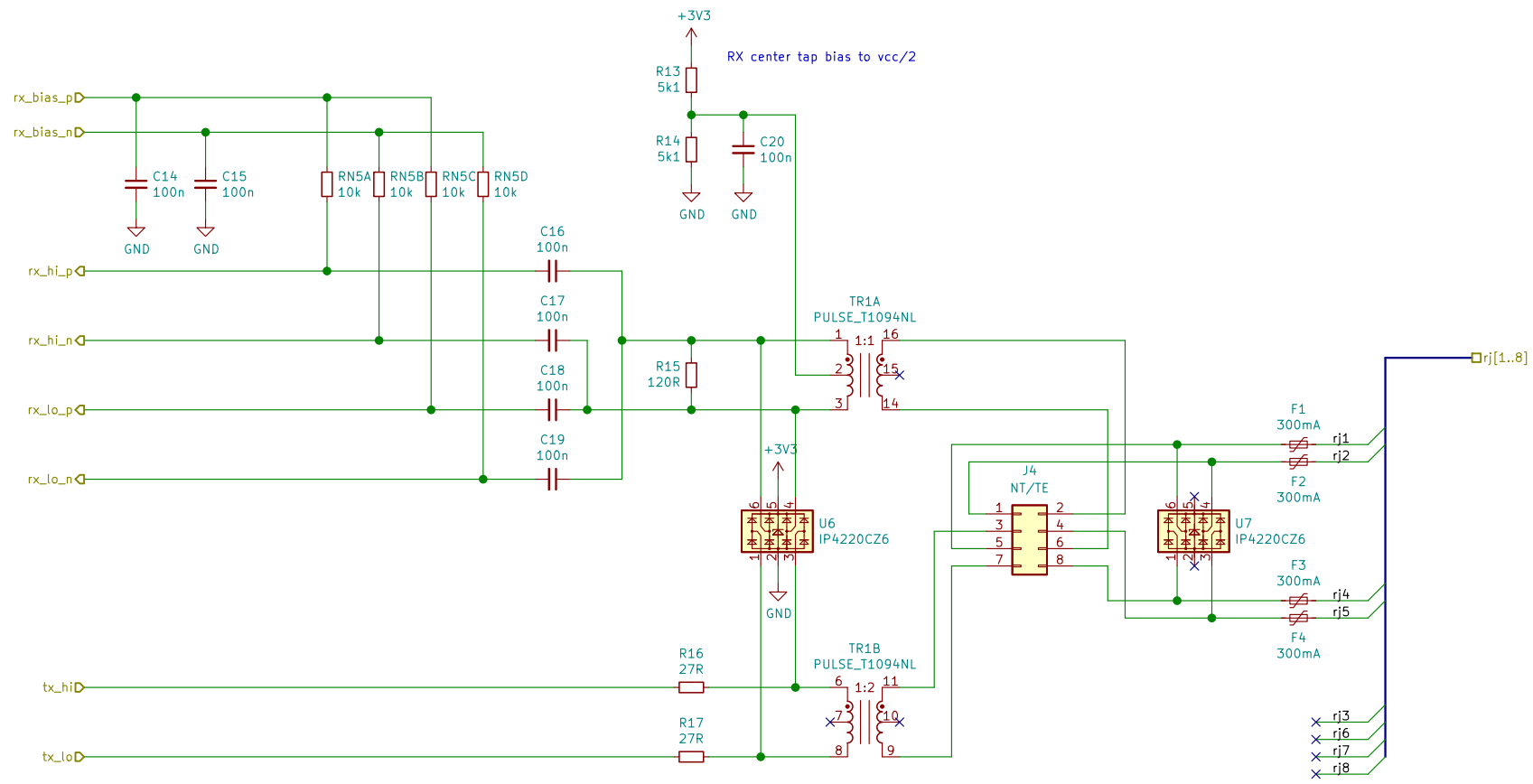
Sheet: /fpga/
File: fpga.sch

Title: icE1usb - FPGA and related digital

Size: A4 Date: 2020-08-26
KiCad E.D.A. kicad 5.1.5

Rev: 1.0
Id: 2/7

Must be Blue!
Need High Vf!



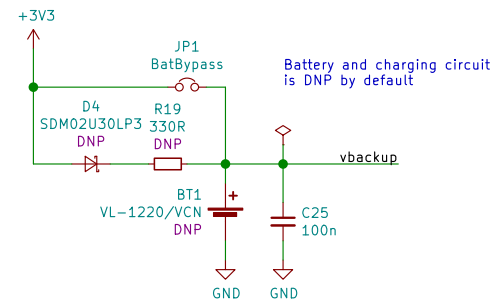
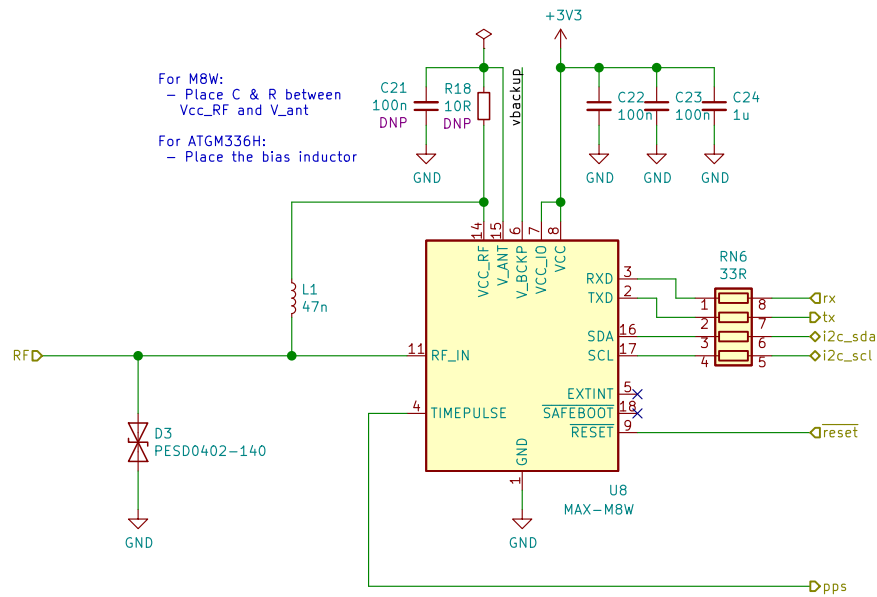
(C) 2020 Sylvain Munaut
CERN-OHL-S

Sheet: /e1A/
File: e1if.sch

icE1usb - E1 interface

Size: A4 Date: 2020-08-26
KiCad E.D.A. kicad 5.1.5

Rev: 1.0
Id: 3/7



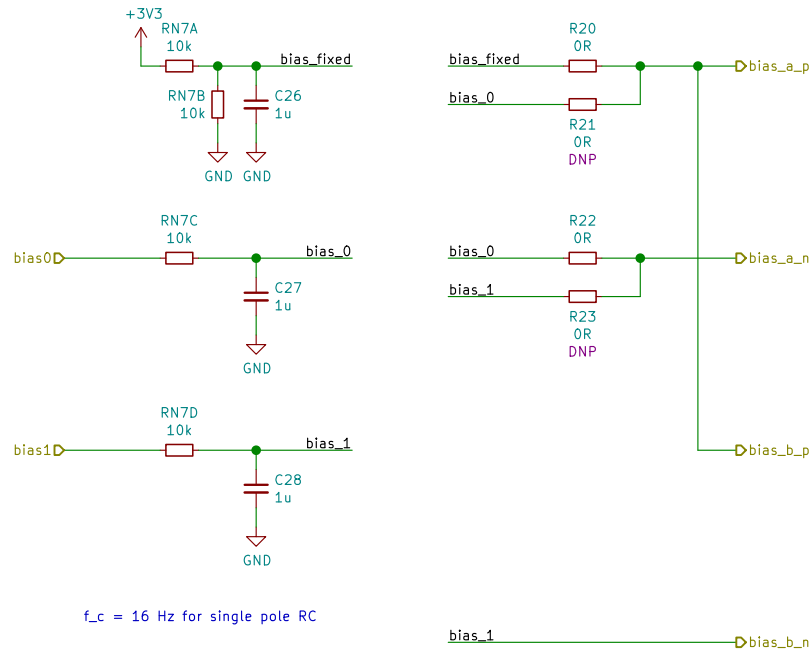
(C) 2020 Sylvain Munaut
CERN-OHL-S

Sheet: /gps/
File: gps.sch

Title: icE1usb - GPS

Size: A4 Date: 2020-08-26
KiCad E.D.A. kicad 5.1.5

Rev: 1.0
Id: 4/7



	A+	A-	B+	B-
Single Sensitivity Dual Rail bias adjust	Bias 0	Bias 1	Bias 0	Bias 1
Dual Sensitivity Single Rail bias adjust	Fixed	Bias 0	Fixed	Bias 1

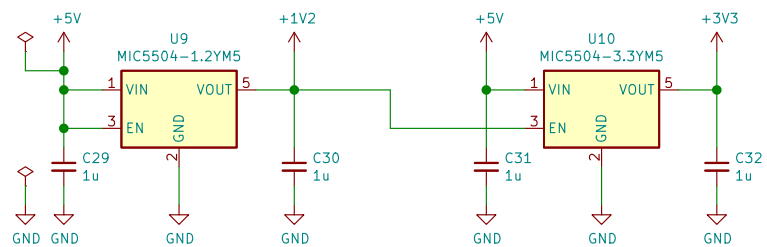
(C) 2020 Sylvain Munaut
CERN-OHL-S

Sheet: /e1bias/
File: e1bias.sch

Title: icE1usb - E1 interface bias generation

Size: A4 Date: 2020-08-26
KiCad E.D.A. kicad 5.1.5

Rev: 1.0
Id: 5/7



(C) 2020 Sylvain Munaut
CERN-OHL-S

Sheet: /psu/
File: psu.sch

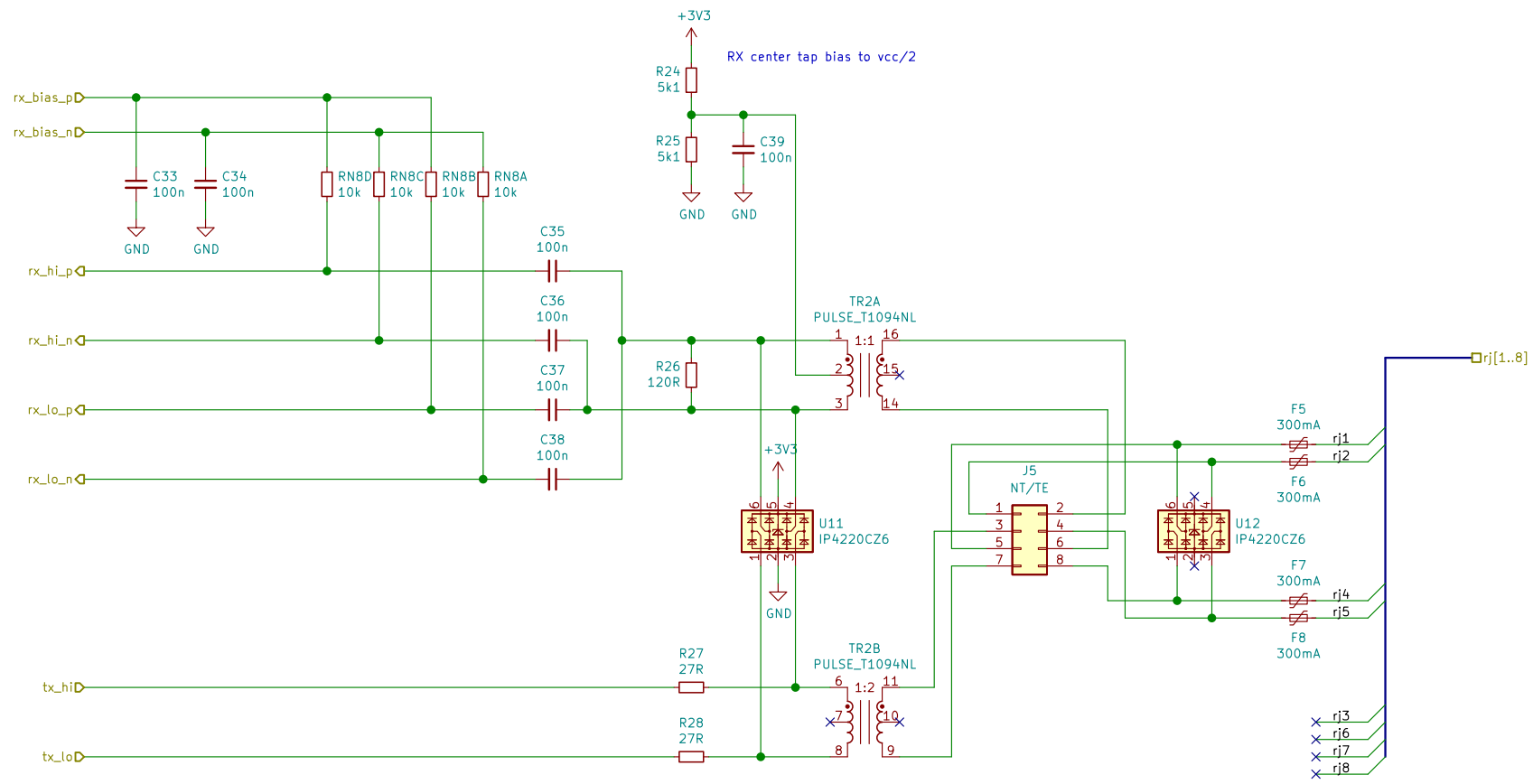
Title: icE1usb - Power Supply

Size: A4 Date: 2020-08-26

KiCad E.D.A. kicad 5.1.5

Rev: 1.0

Id: 6/7



(C) 2020 Sylvain Munaut
CERN-OHL-S

Sheet: /e1B/
File: e1if.sch

Title: icE1usb - E1 interface

Size: A4 Date: 2020-08-26
KiCad E.D.A. kicad 5.1.5

Rev: 1.0
Id: 7/7