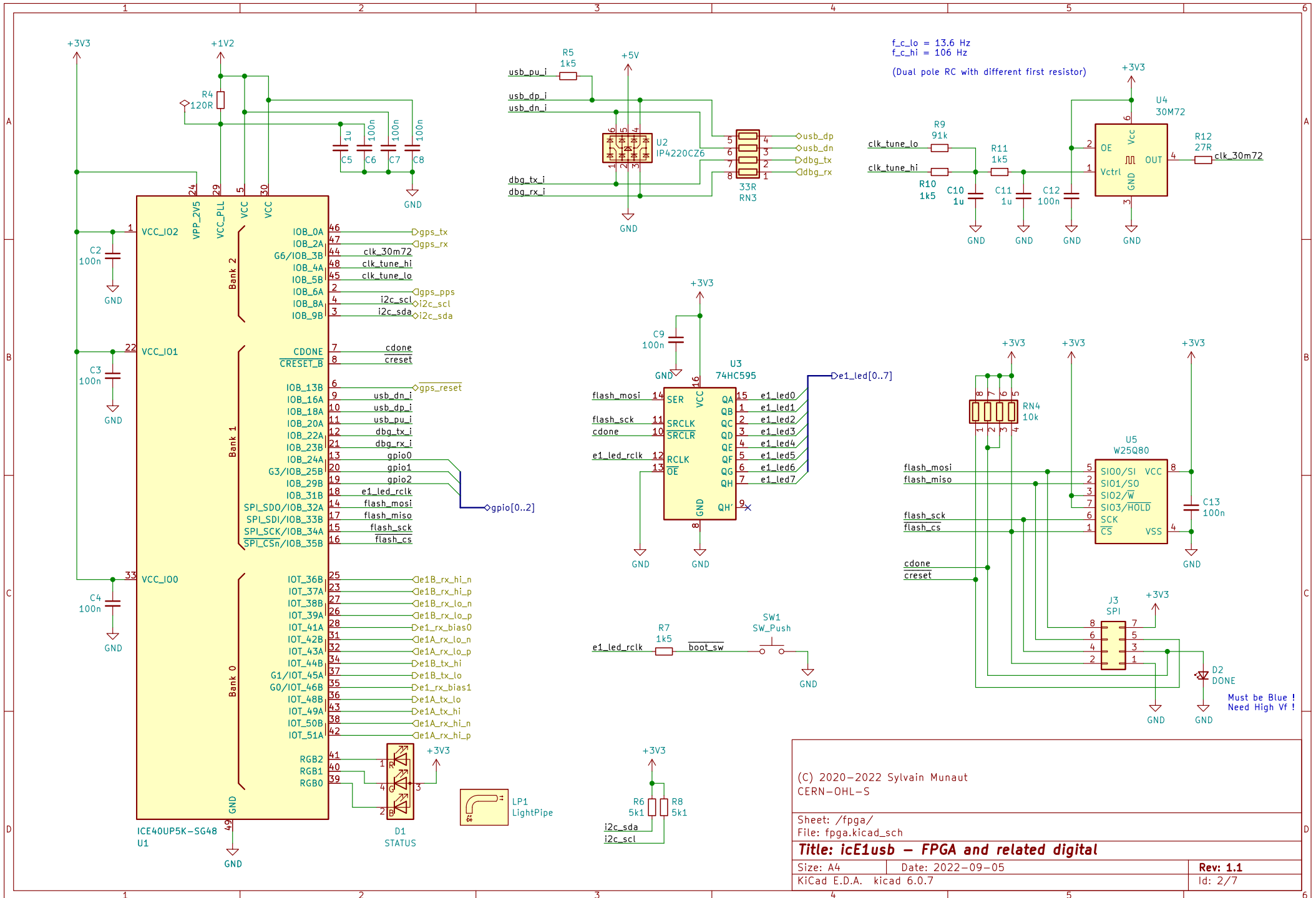


(C) 2020–2022 Sylvain Munaut
CERN–OHL–S

Sheet: /
File: icE1usb.kicad_sch
Title: icE1usb – Top level overview

Size: A4	Date: 2022–09–05	Rev: 1.1
KiCad E.D.A. kicad 6.0.7		Id: 1/77



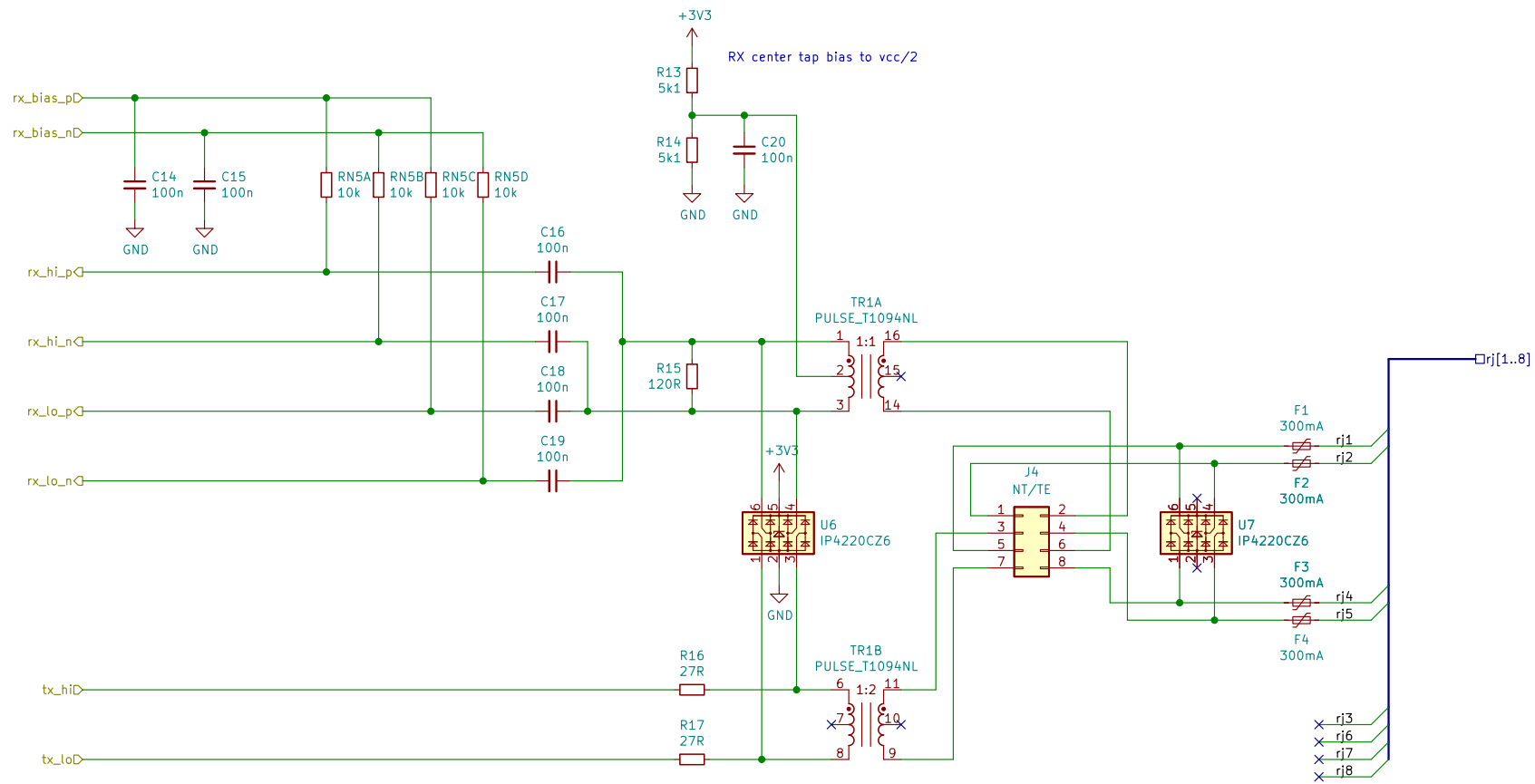
(C) 2020-2022 Sylvain Munaut
CERN-OHL-S

Sheet: /fpga/
File: fpga.kicad_sch

Title: icE1usb - FPGA and related digital

Size: A4 Date: 2022-09-05
KiCad E.D.A. kicad 6.0.7

Rev: 1.1
Id: 2/7



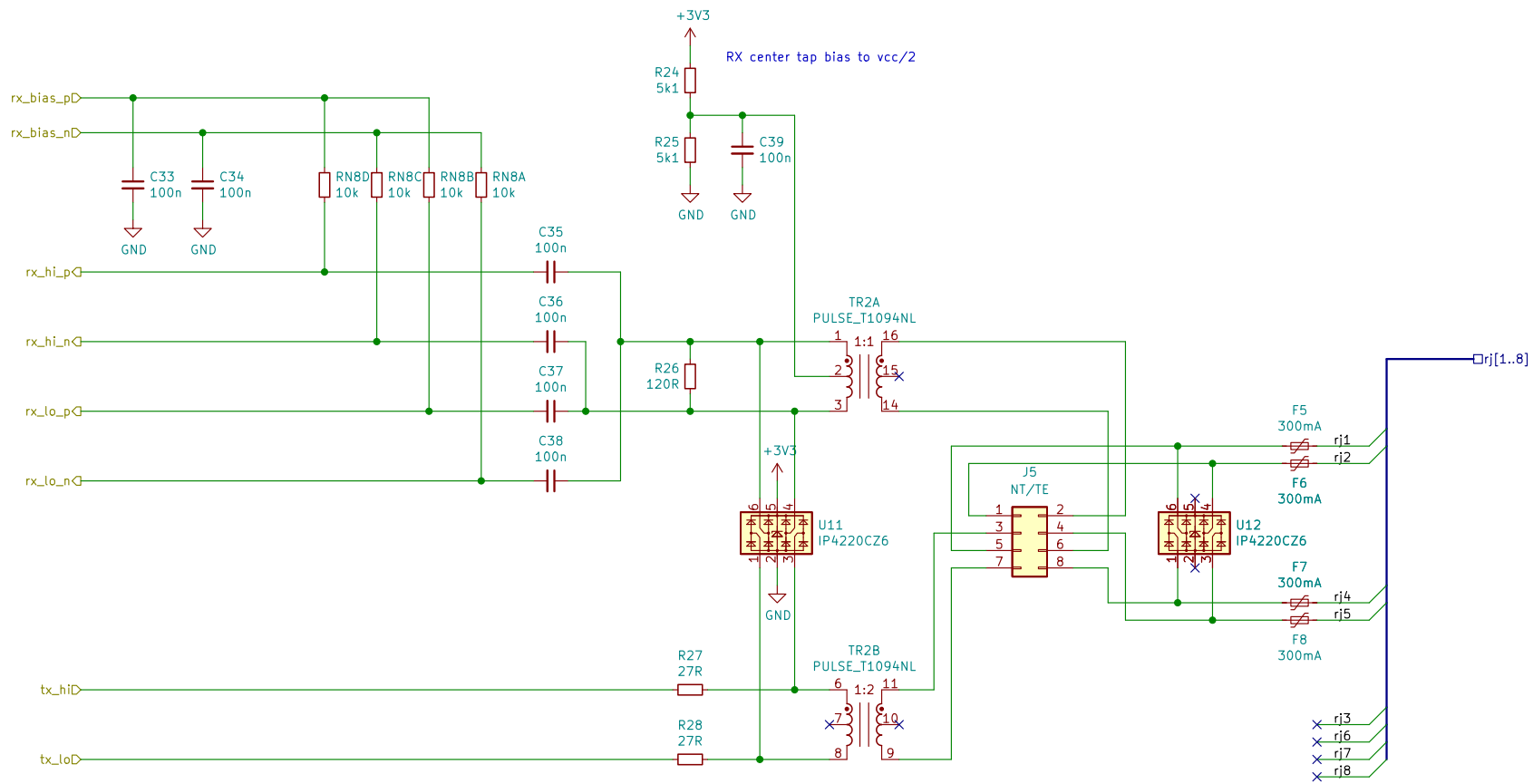
(C) 2020–2022 Sylvain Munaut
CERN–OHL–S

Sheet: /e1A/
File: e1if.kicad_sch

Title: icE1usb - E1 interface

Size: A4 | Date: 2022–09–05
KiCad E.D.A. kicad 6.0.7

Rev: 1.1
Id: 3/7



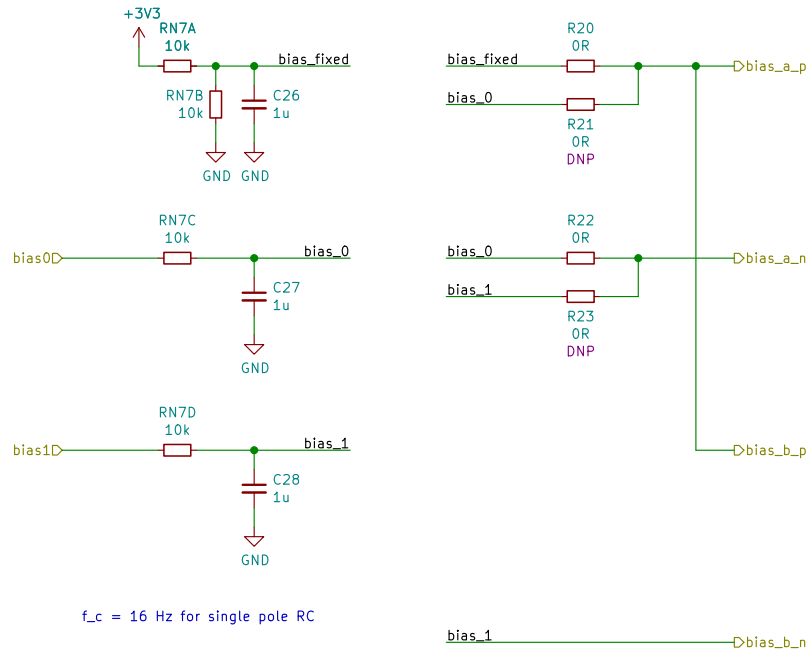
(C) 2020–2022 Sylvain Munaut
CERN–OHL–S

Sheet: /e1B/
File: e1if.kicad_sch

Title: icE1usb - E1 interface

Size: A4 Date: 2022–09–05
KiCad E.D.A. kicad 6.0.7

Rev: 1.1
Id: 4/7



	A+	A-	B+	B-
Single Sensitivity Dual Rail bias adjust	Bias 0	Bias 1	Bias 0	Bias 1
Dual Sensitivity Single Rail bias adjust	Fixed	Bias 0	Fixed	Bias 1

(C) 2020–2022 Sylvain Munaut
CERN–OHL–S

Sheet: /e1bias/
File: e1bias.kicad_sch

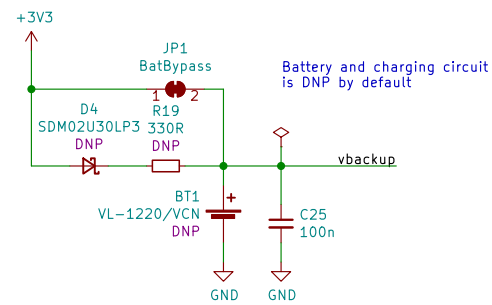
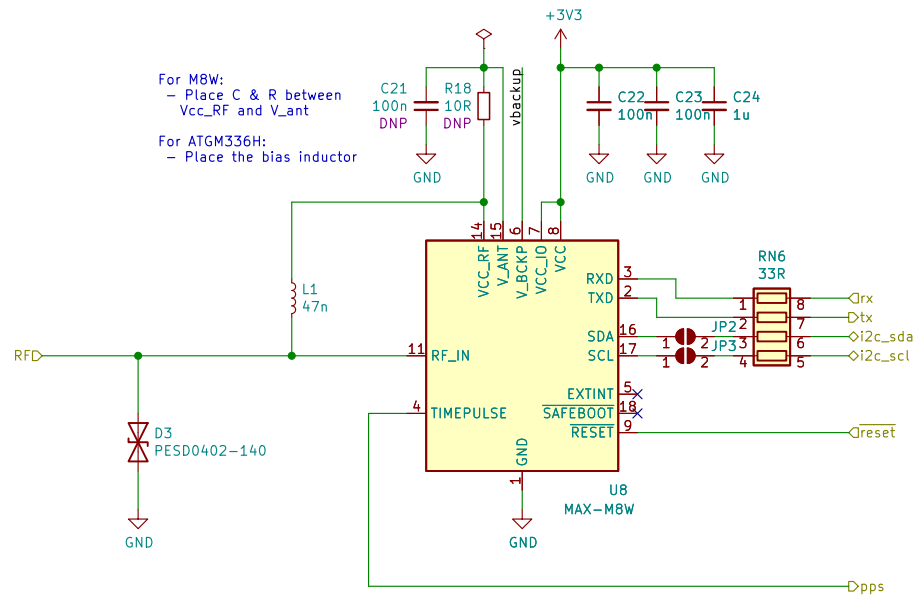
Title: icE1usb – E1 interface bias generation

Size: A4 Date: 2022–09–05

Rev: 1.1

KiCad E.D.A. kicad 6.0.7

Id: 5/7



(C) 2020-2022 Sylvain Munaut
CERN-OHL-S

Sheet: /gps/
File: gps.kicad_sch

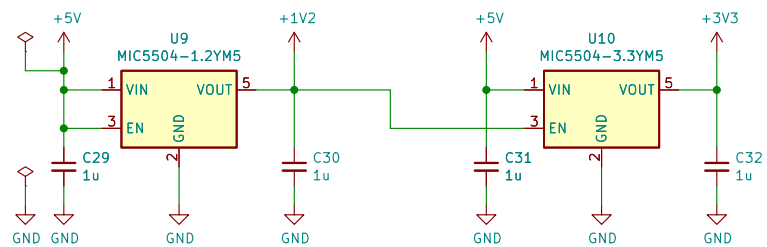
Title: icE1usb - GPS

Size: A4 Date: 2022-09-05

KiCad E.D.A. kicad 6.0.7

Rev: 1.1

Id: 6/7



(C) 2020-2022 Sylvain Munaut
CERN-OHL-S

Sheet: /psu/
File: psu.kicad_sch

Title: icE1usb - Power Supply

Size: A4 Date: 2022-09-05

KiCad E.D.A. kicad 6.0.7

Rev: 1.1

Id: 777