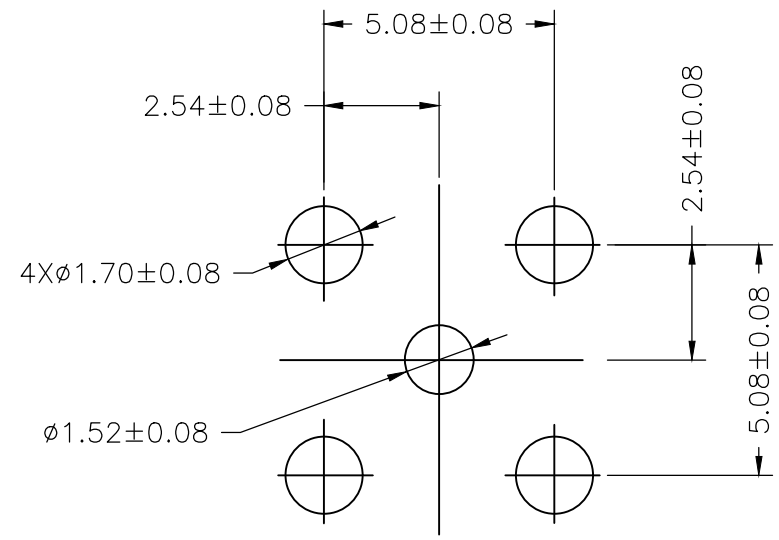


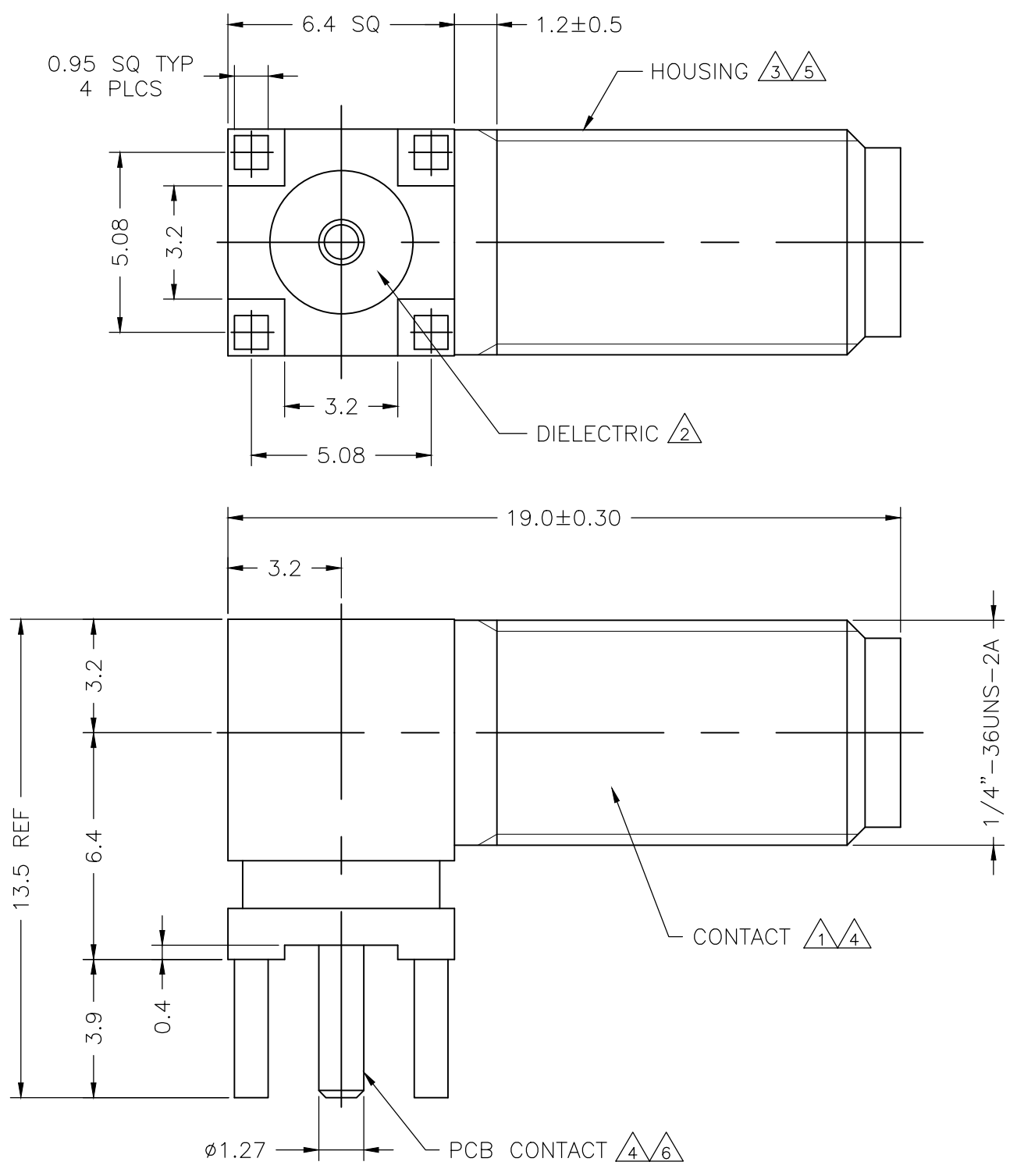
THIS DRAWING IS UNPUBLISHED. RELEASED FOR PUBLICATION
 © COPYRIGHT - By - ALL RIGHTS RESERVED.

REVISIONS				
P	LTR	DESCRIPTION	DATE	APVD
	A2	ECR-19-006203	23APR2019	RZ RS

- 1 BERYLLIUM COPPER
- 2 PTFE
- 3 ZINC ALLOY
- 4 GOLD PLATED
- 5 NICKEL PLATED
- 6 BRASS
- 7 PACKAGING: 1 PC/BAG, 200 PCS/BOX, 1200 PCS/CARTON
- 8 TRAY PACKAGED



RECOMMENDED PCB LAYOUT



ELECTRICAL	MECHANICAL	ENVIRONMENTAL
Frequency Range (GHz) DC to 3GHz	Recommended Mating force or Torque 8 In-Lbs nominal	Temperature Rating -65°C TO +85°C
Voltage Rating (Peak) @ Sea Level 335 VAC RMS	Mating cycles 500	
Insulation Resistance (MIN.) 5000 M ohms	Note: Use of active flux may be needed to improve solder wetting.	
Contact Resistance (Milliohms MAX) Center Contact 3.0 Outer Contact 2.0		

619540-2	8
619540-1	7
PART NUMBER	

THIS DRAWING IS A CONTROLLED DOCUMENT.		DWN RITA ZUO 11 JULY 2012	STE TE Connectivity	
		CHK BING LIU 11 JULY 2012		
		APVD MARTIN YE 11 JULY 2012	NAME	
DIMENSIONS: mm		TOLERANCES UNLESS OTHERWISE SPECIFIED:	SMA JACK R/A PCB END	
		0 PLC ± - 1 PLC ± 0.2 2 PLC ± 0.15 3 PLC ± - 4 PLC ± - ANGLES ± 1	108-112000	
MATERIAL SEE TABLE		FINISH SEE TABLE	APPLICATION SPEC	
		WEIGHT 0.000000	SIZE A3	CAGE CODE 00779
		CUSTOMER DRAWING	DRAWING NO C-619540	RESTRICTED TO
		SCALE 6:1	SHEET 1 OF 1	REV A2